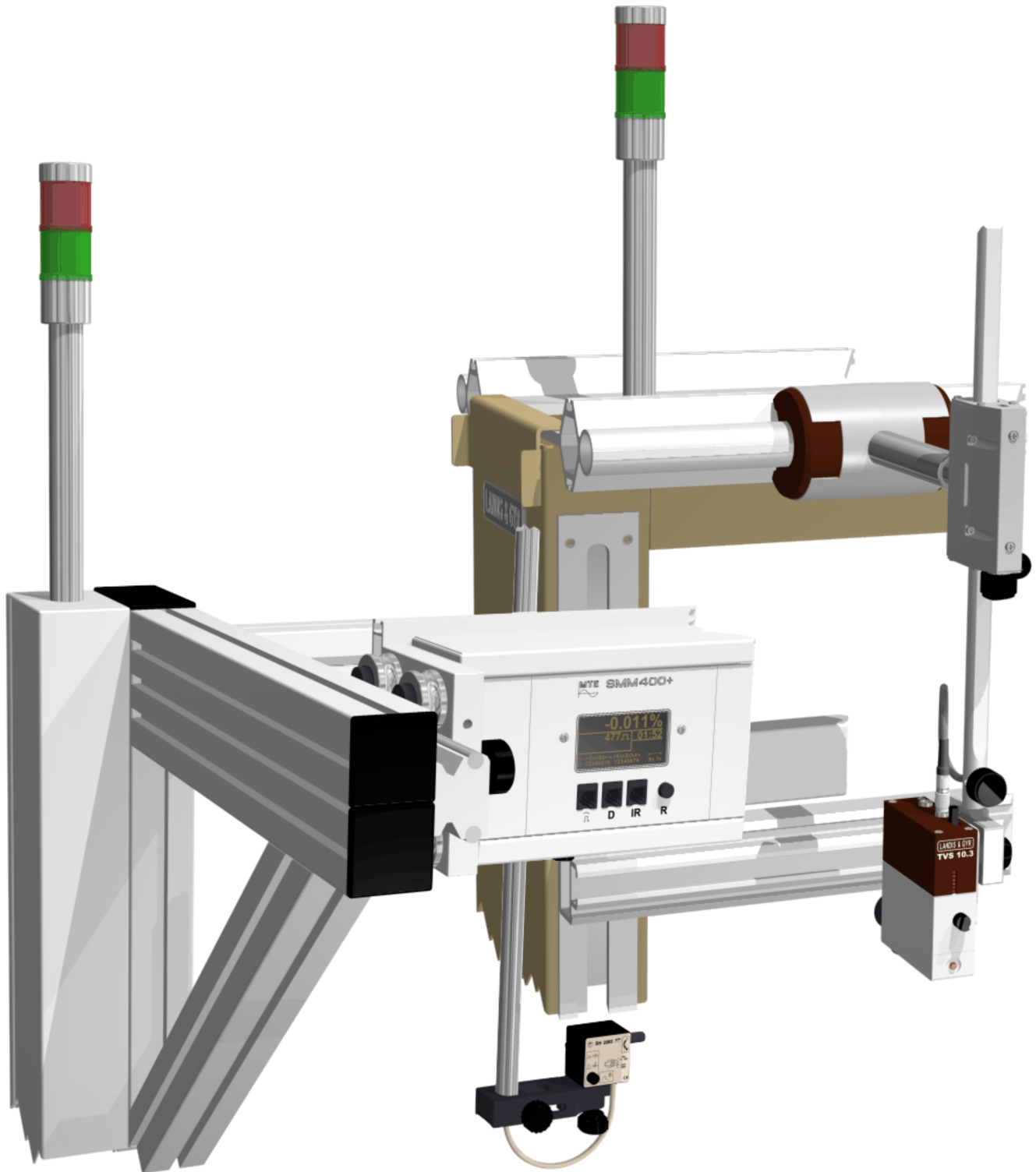


Voltage Presence Indicator



The voltage presence indicator is a lamp drawing the attention of the operator to the presence of dangerous voltages - both single and three phase - on a meter test station installation. When the voltage exceeds 50 VAC, the red warning lamp is illuminated intermittently.

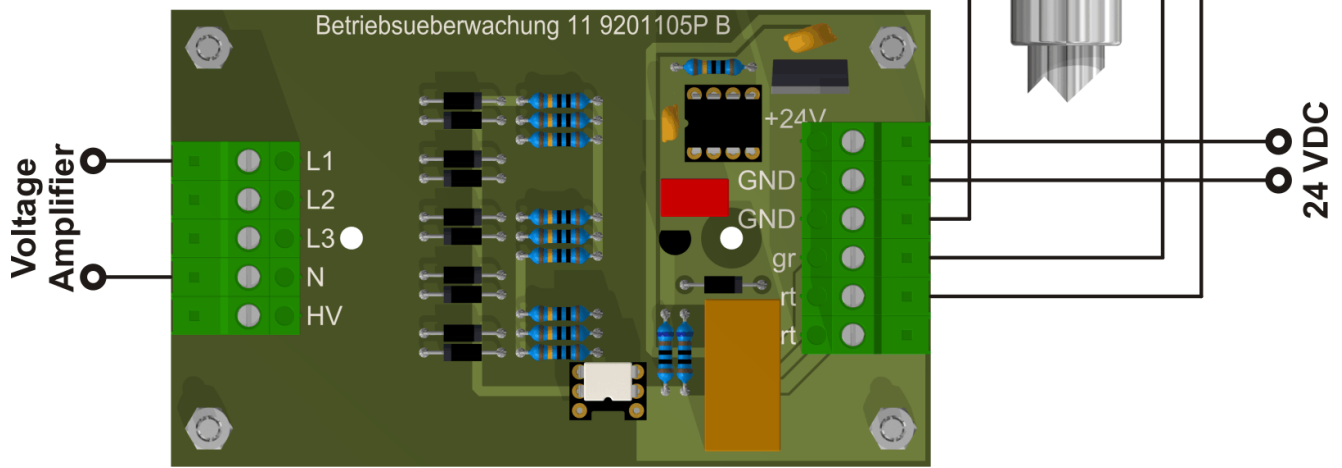
Technical data

Auxiliary supply:	24 VDC
Voltages between Inputs:	single phase: ≤ 320 V three phase: ≤ 480 V (Ph - N)
Switch-on level:	~ 50 VAC
Switch-on current:	max. 500 mA

Operating Temp.:	-20 °C ... $+50$ °C
Housing:	Polycarbonate
Visibility angle:	360 °
Dimensions:	$\varnothing 37.5 \times 505$ mm

Current consumption:	40 mA per stage
----------------------	-----------------

Block diagram single phase operation



Block diagram three phase operation

